

A.ZEUS

お客様の笑顔を糧に・・・。

LED Explosion-proof Light

EP-01-G1

60W/80W/100W/120W/150W/180W/200W

ATEX/IECEx approvals
IP66 waterproof

CLASSIFICATIONS & RATINGS

- Class I, Division 1, Groups C, D
- Class I, Division 2, Groups A, B, C, D
- Class II, Division 2, Groups E, F, G
- Class III
- Zone 1, Zone 2, Zone 21, Zone 22.

140
Lm/W



Application scenarios

Outdoor lighting, architectural lighting, industrial lighting,
the Gym, stadium, Tunnel, Subway, Underground;
Building, Park, Garden, Workshop, Factory, Station, Dock,
Deck, Ship, Boat etc..



A.ZEUS

お客様の笑顔を糧に...

LED Explosion-proof Light



EP-01-G1

60W/80W/100W/120W/150W/180W/200W

IP66 waterproof

Housing Color: Grey / Orange

140
Lm/W



EP-01(ID:G1-P1)

EP-01(ID:G1-P2)

EP-01(ID:G1-P3)



A.ZEUS

お客様の笑顔を糧に・・・。

LED Explosion-proof Light



140
Lm/W

EP-01-G1

Housing Color: Grey / Orange

CRI>80

Input Voltage: AC100-277V,50/60Hz

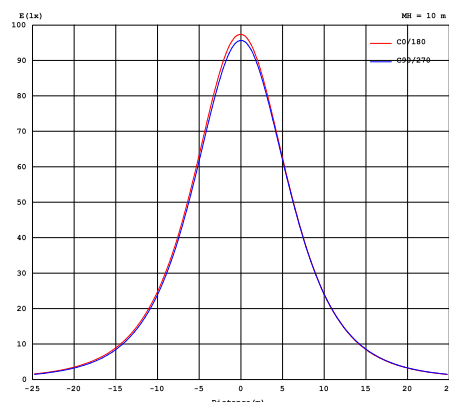
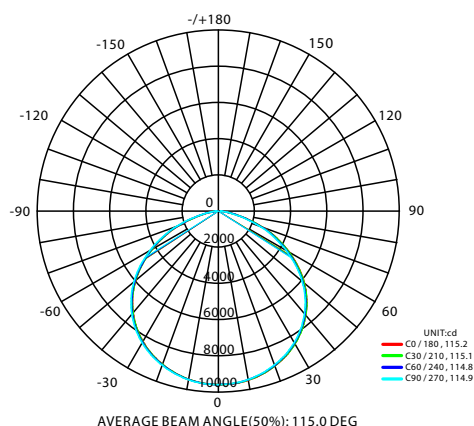
IP66 waterproof

Beam Angle:120°

Leds: LUMILEDS

Driver :SOSEN

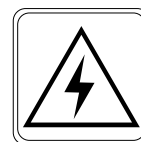
Photometry / Planar Illuminance Curve »



120°



140Lm/W



AC100-277V 50/60Hz



Easy Installation



Waterproof



Life Span:
>50,000 Hours

A.ZEUS

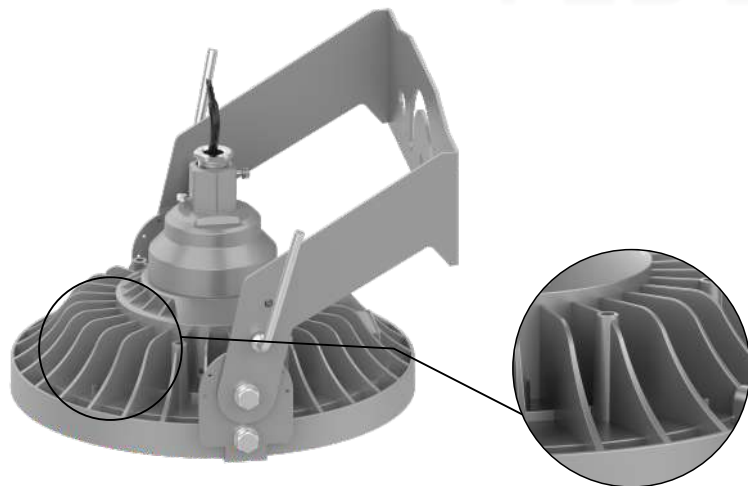
お客様の笑顔を糧に・・・。

LED Explosion-proof Light



EP-01-G1

- High Quality Air convection design, for high heat conductivity and quickly heat dissipation.
- Stronger corrosion resistance, For harsh outdoor environment.
- Ultra-white tempered glass, Sturdy and durable, High transmittance, Stronger resistance.
- Easy Heat Dissipation Helps to Extend Lifetime.



- IP66 waterproof
- Dust and lightning protection
- Long Lifespan
- Anti-explosion, Dustproof, Waterproof



A.ZEUS

お客様の笑顔を糧に・・・。

EP-01-G1

60W/80W/100W/120W/150W/180W/200W

140
Lm/W



Why Choose ROKEE Explosion-proof Light?

Stainless steel prevent corrosion and aging

Pressure-proof and Explosion-proof tempered glass

Easy Heat Dissipation Helps to Extend Lifetime.



IP66 Protection

High efficiency and Energy saving Leds

Anti-explosion, Dustproof, Waterproof

A.ZEUS

お客様の笑顔を糧に...

LED Explosion-proof Light



Ceiling ring



American hook



Chain

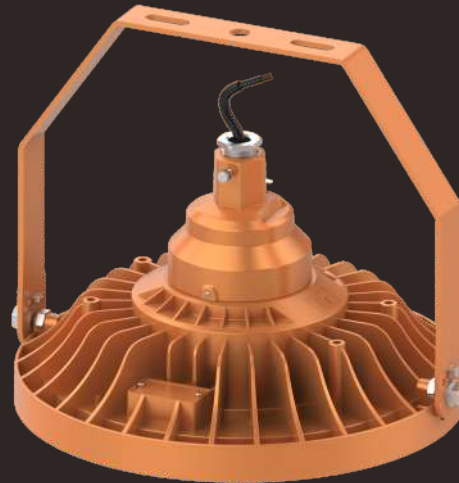


Safety Rope

EP-01-G1

IP66 waterproof

Beam Angle:
120°



Housing Color: Grey / Orange

Leds: LUMILEDS

Driver : SOSEN

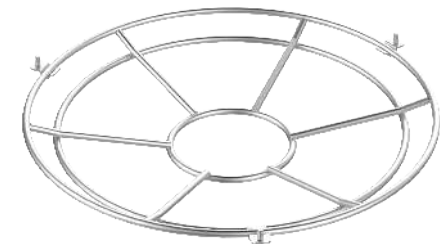
140
Lm/W



ALU-Reflector



PC Reflector



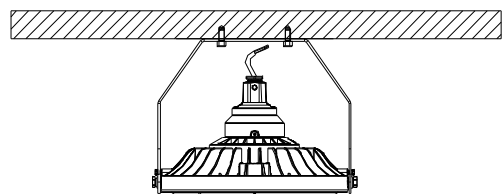
Explosion-proof cover

LED Explosion-proof Light

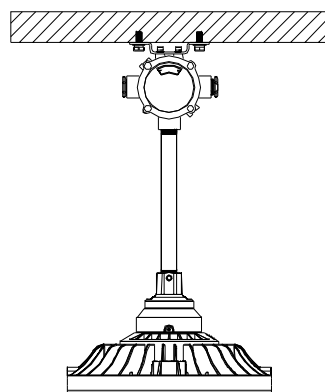
EP-01-G1

60W/80W/100W/120W/150W/180W/200W

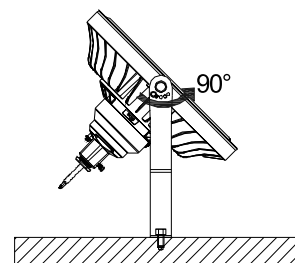
140
Lm/W



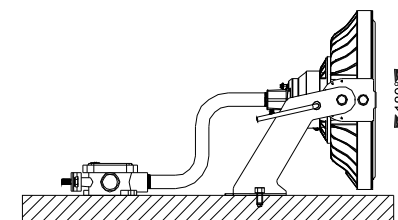
Ceiling Type



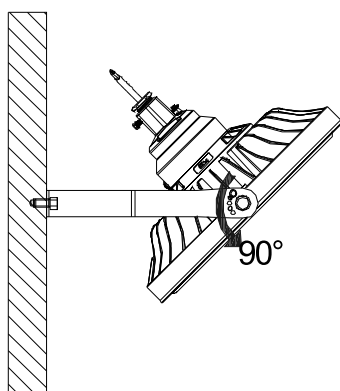
Tube hanging Type



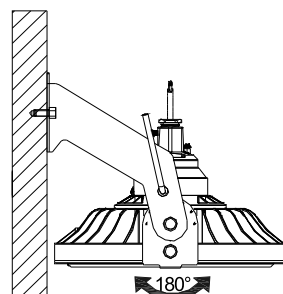
Floor Type-01



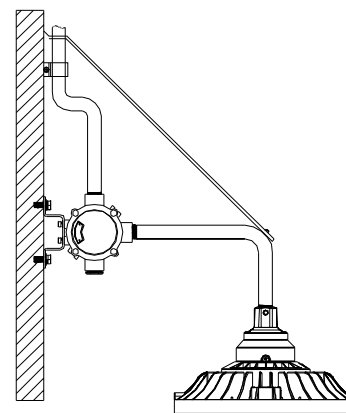
Floor Type-02



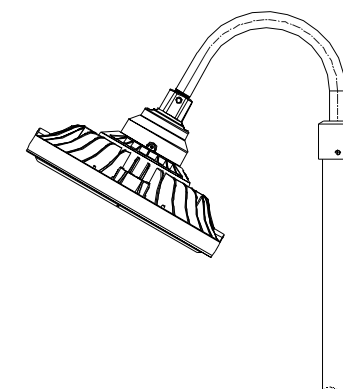
Wall Type-01



Wall Type-02



Wall Type-03



Bending electrical tube Type

A.ZEUS

お客様の笑顔を糧に・・・。

EP-01-G1

60W/80W/100W/120W/150W/180W/200W

