

## LED Explosion-proof Light EP-01-G1



### Better solutions for LED Explosion-proof Light



IP66 water-proof



AC100-277V 50/60Hz



Easy Installation



140Lm/W

Operating Temp.: -40°C ~ +50°C

Storage Temp.: -40°C ~ +80°C

### Options

Power	Housing Color	Color	Beam Angle
Sosen Driver	Grey Orange	3000K 4000K 5000K 5700K	120°

### Application

Refineries and fuel depots, marine vessels, chemical production and processing, food processing, mining, wineries, other high humidity, high temperature, and dusty places



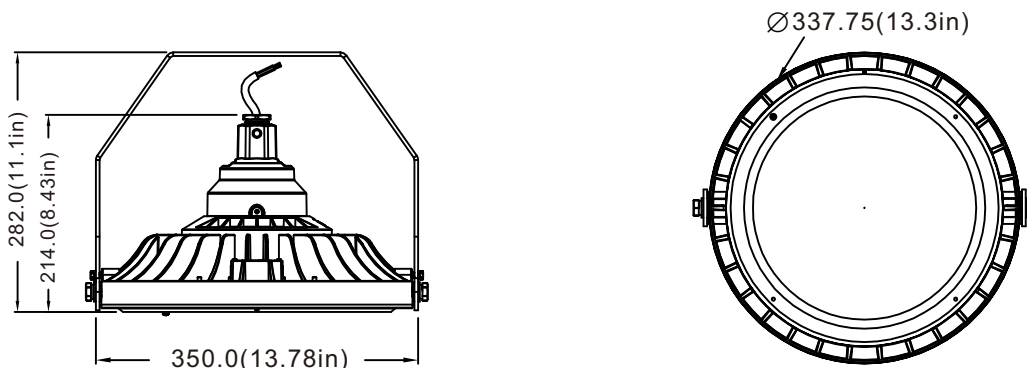
### CLASSIFICATIONS & RATINGS

- Class I, Division 1, Groups C, D
- Class I, Division 2, Groups A, B, C, D
- Class II, Division 2, Groups E, F, G
- Class III
- Zone 1, Zone 2, Zone 21, Zone 22.

### Specifications

Item	Power	Luminous Efficacy	Leds	CRI	Weight	Beam Angle
EP60W-01-G1	60W	140Lm/W	Lumileds 3030	>80	9.0kg(19.8lbs)	120°
EP80W-01-G1	80W	140Lm/W	Lumileds 3030	>80	9.0kg(19.8lbs)	120°
EP100W-01-G1	100W	140Lm/W	Lumileds 3030	>80	9.0kg(19.8lbs)	120°
EP120W-01-G1	120W	140Lm/W	Lumileds 3030	>80	9.0kg(19.8lbs)	120°
EP150W-01-G1	150W	140Lm/W	Lumileds 3030	>80	9.0kg(19.8lbs)	120°
EP180W-01-G1	180W	140Lm/W	Lumileds 3030	>80	9.0kg(19.8lbs)	120°
EP200W-01-G1	200W	140Lm/W	Lumileds 3030	>80	9.0kg(19.8lbs)	120°

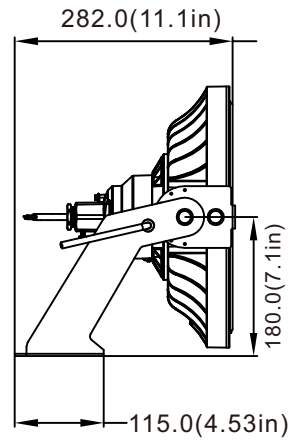
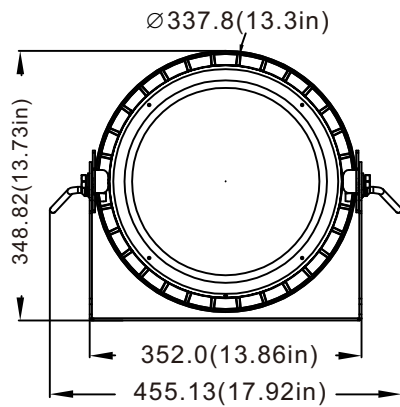
### Dimensions(mm)



60W/80W/100W/120W/150W/180W/200W-P1

## EP-01-G1

## LED Explosion-proof Light

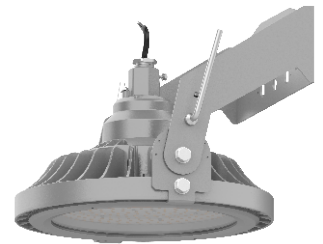
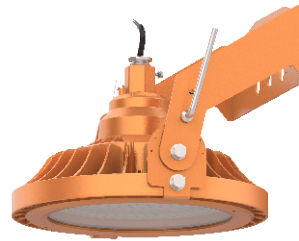


60W/80W/100W/120W/150W/180W/200W-P2

### Model Options

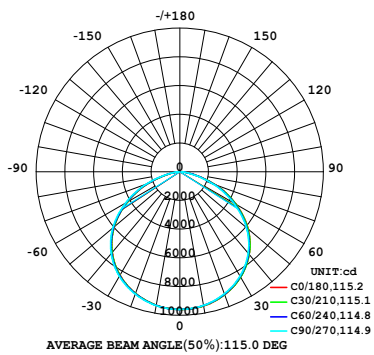


P1

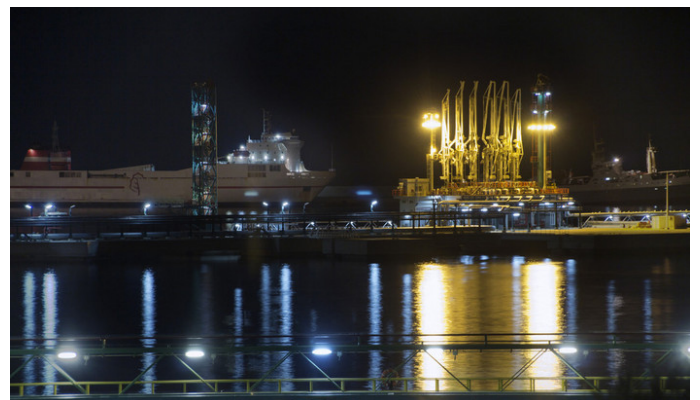


P2

### Photometry



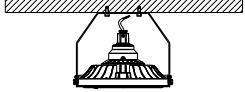
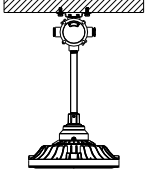
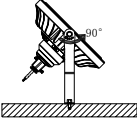
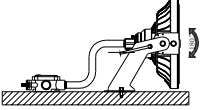
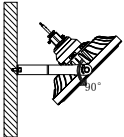
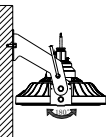
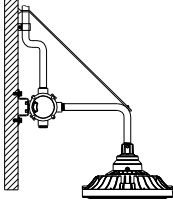
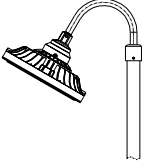
120°



## EP-01-G1

## LED Explosion-proof Light

### Installation and use

 <p>Ceiling Type</p>	 <p>Tube hanging Type</p>	 <p>Floor Type-1</p>	 <p>Floor Type-2</p>
 <p>Wall Type-1</p>	 <p>Wall Type-2</p>	 <p>Wall Type-3</p>	 <p>Bending electrical tube Type</p>

### Packing Spec

Item	Box			Carton		
	Measurement(mm)	Gross weight	Pcs/box	Measurement(mm)	Gross weight	Pcs/box
EP60W/80W/100W/120W-01-G1	L512*W432*H345	10.0kg(22.0lbs)	1	/	/	/
EP150W/180W/200W-01-G1	L512*W432*H345	10.0kg(22.0lbs)	1	/	/	/