

LED Flood Light FL-06-G2



Better solutions for Led Flood Light

-  IP65 water-proof
-  AC100-277V 50/60Hz
-  Easy Installation
-  130lm/W / 120lm/W

Operating Temp.: -40°C~+50°C(C1/C2/C4B) Storage Temp.: -40°C~+80°C
 -20°C~+50°C(C4A)



Options

Driver	Voltage	Leds & CRI	CCT
TUV,UL List Driver	AC100-277V for C1/C2/C4B	3030 & >80	3000K
MEANWELL Driver	AC120-277V for C4A	2835 & >80	4000K
SOSEN Driver			5000K
			5700K

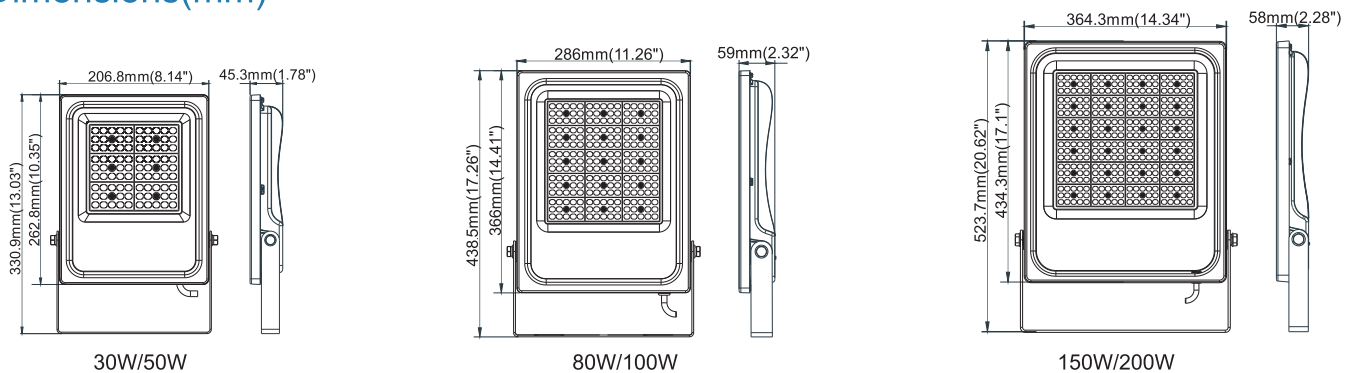
Application

Tunnel light, Sports field, Parking lot, Garden, Residential area, Landscape, Architectural decorative lighting, Roads and other places.

Specifications

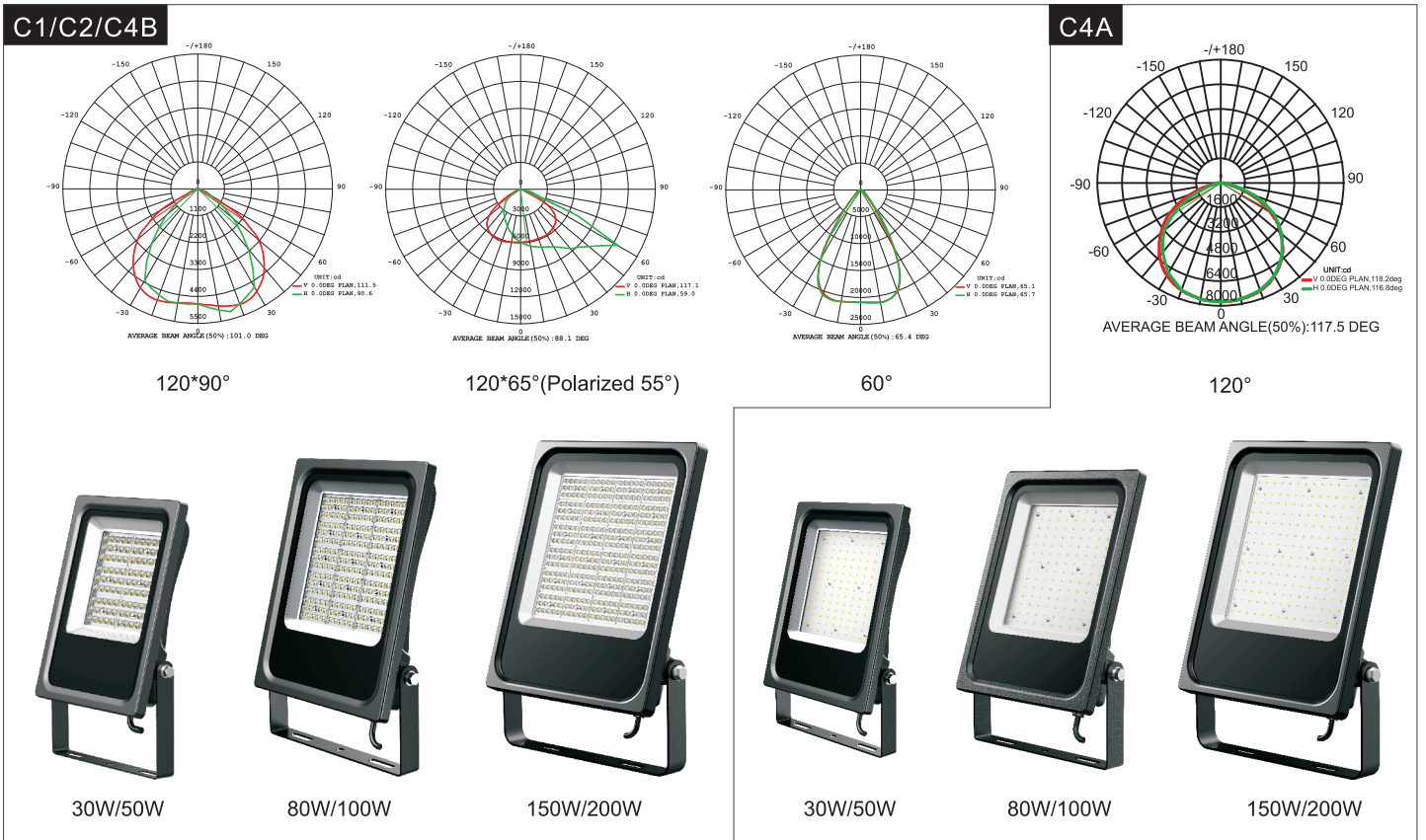
Item	Power	Weight	Luminous Efficacy	Leds	Beam Angle
FL30W-06-G2	30W	1.57kg(3.46lbs)	130lm/W(C1/C2/C4B)	2835/3030 (C1/C2/C4B)	120°*90°/120°*65°/60° (C1/C2/C4B)
FL50W-06-G2	50W	1.57kg(3.46lbs)			
FL80W-06-G2	80W	3.50kg(7.70lbs)			
FL100W-06-G2	100W	3.50kg(7.70lbs)	120lm/W(C4A)	2835 (C4A)	120° (C4A)
FL150W-06-G2	150W	5.31kg(11.7lbs)			
FL200W-06-G2	200W	5.31kg(11.7lbs)			

Dimensions(mm)

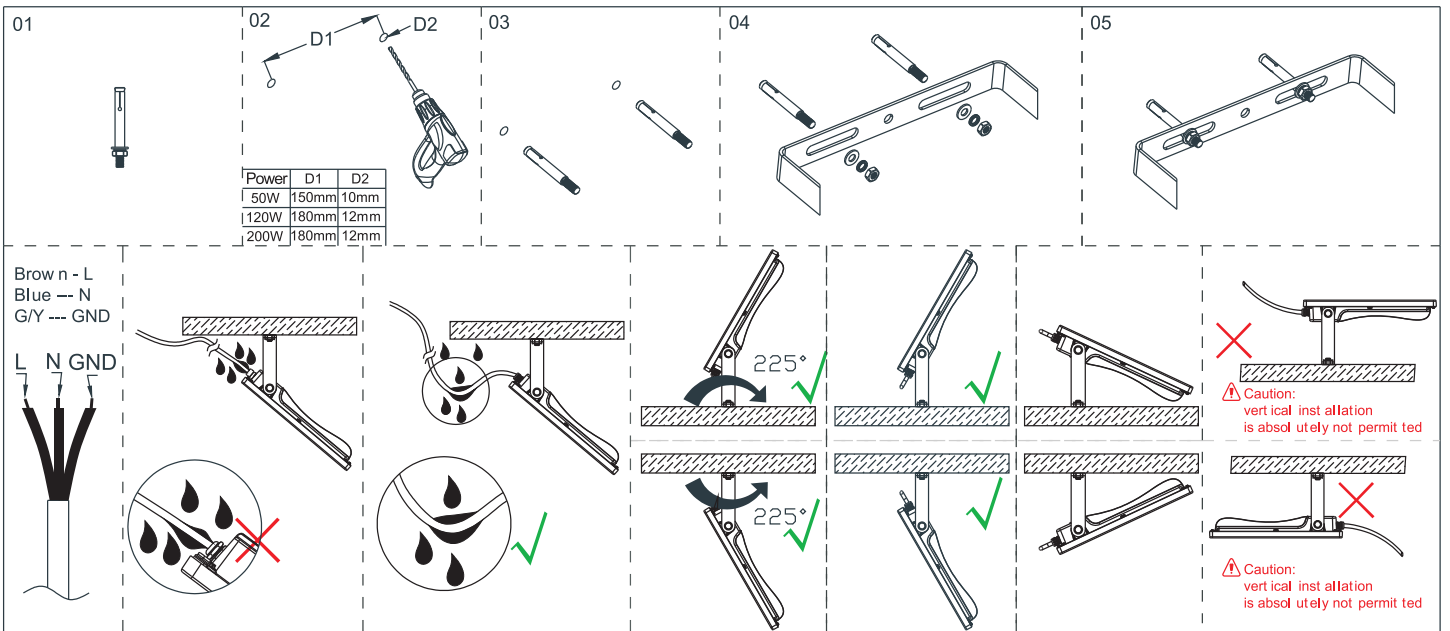


FL-06-G2

Photometry



Installation and use



Packing Spec

Item	Box			Carton		
	Measurement (mm)	Gross weight	Pcs/box	Measurement (mm)	Gross weight	Pcs/box
FL30W/50W-06-G2	L345*W250*H65	2.32kg(5.10lbs)	1	L365*W270*H295	10.61kg(23.4lbs)	4
FL80W/100W-06-G2	L455*W330*H90	5.16kg(11.4lbs)	1	L475*W350*H220	11.34kg(25.0lbs)	2
FL150W/200W-06-G2	L540*W415*H105	7.58kg(16.7lbs)	1	/	/	/