

LED Highbay Light HBL-02-G7



Better solutions for Led Highbay Light



Operating Temp.: -20°C~+50°C **Storage Temp.:** -40°C~+80°C
Cold Forging Technology, AL1070 Pure Alumium

Options

Driver UL/TUV/CE/SAA Driver	CCT 3000K 4000K 5000K 5700K	Cap-Base E39/E40
---------------------------------------	--	----------------------------



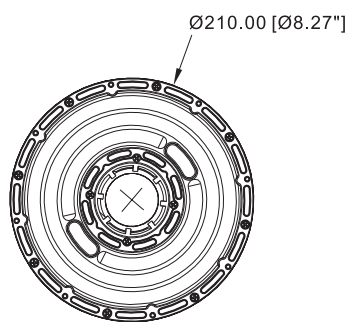
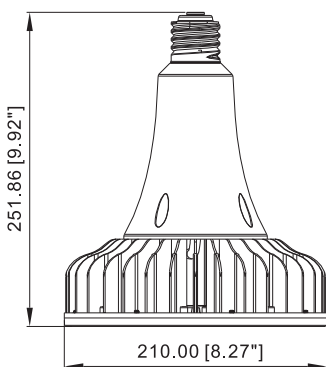
Application

Factories, Steel Mills, Steel Smelting Plants, Manufacturing Plants & Warehouses
Farms and Industrial Installations, sport Facilities & Workshops, Storage Facilities & Warehouses
Supermarkets & Department Stores, Showrooms, Design Centers & Galleries.

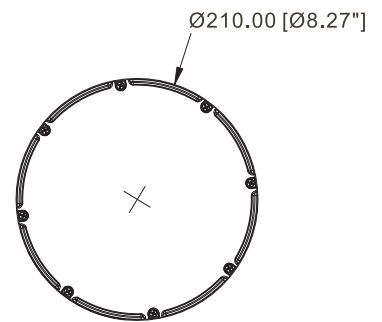
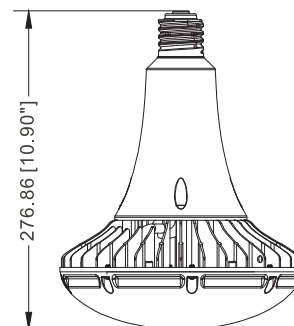
Specifications

Item	Power	Luminous Efficacy	Leds	CRI	Weight	Lens
HBL60W-02-G7	60W	180lm/W	SMD5050	> 70	1.64kg(3.62 lbs)	90°
HBL80W-02-G7	80W	180lm/W	SMD5050	> 70	1.64kg(3.62 lbs)	90°
HBL100W-02-G7	100W	180lm/W	SMD5050	> 70	1.64kg(3.62 lbs)	90°
HBL120W-02-G7	120W	180lm/W	SMD5050	> 70	1.64kg(3.62 lbs)	90°
HBL60W-02-G7(B)	60W	160lm/W	SMD5050	> 70	1.42kg(3.13 lbs)	120°
HBL80W-02-G7(B)	80W	160lm/W	SMD5050	> 70	1.42kg(3.13 lbs)	120°
HBL100W-02-G7(B)	100W	160lm/W	SMD5050	> 70	1.42kg(3.13 lbs)	120°
HBL120W-02-G7(B)	120W	160lm/W	SMD5050	> 70	1.42kg(3.13 lbs)	120°

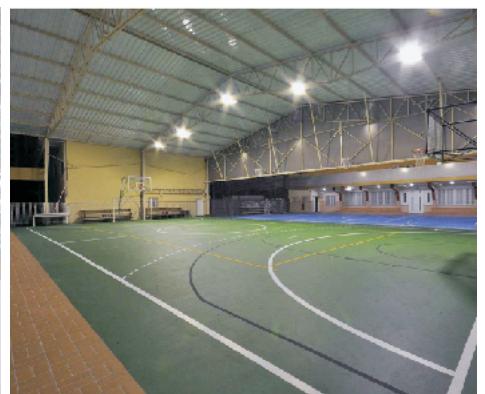
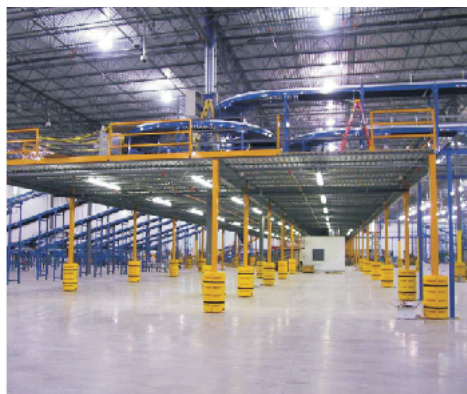
Dimensions(mm)



HBL60W/80W/100W/120W-02-G7

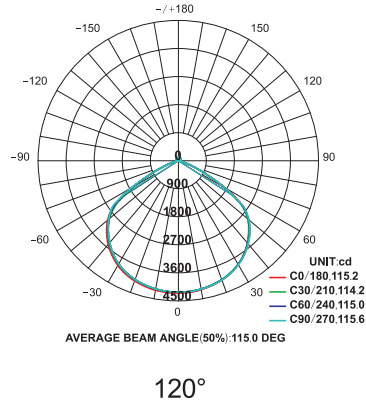
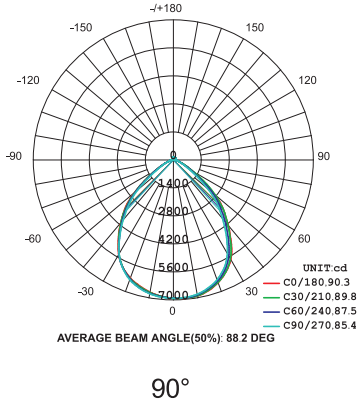


HBL60W/80W/100W/120W-02-G7(B)



HBL-02-G7

Photometry



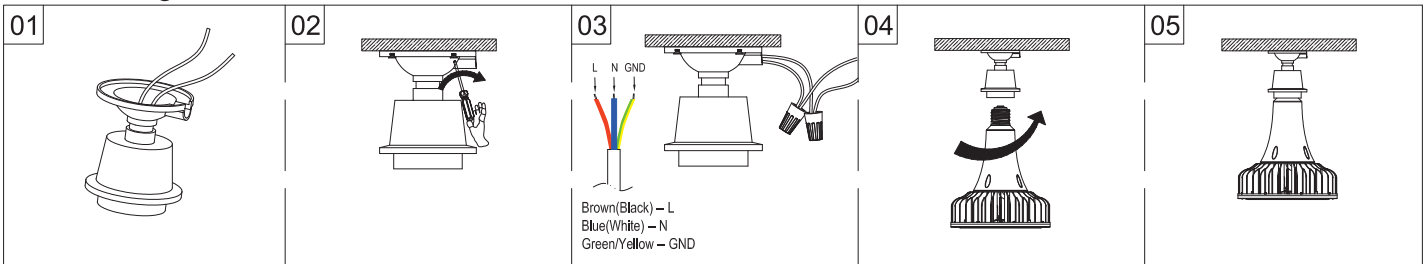
HBL60W/80W/100W/120W
-02-G7



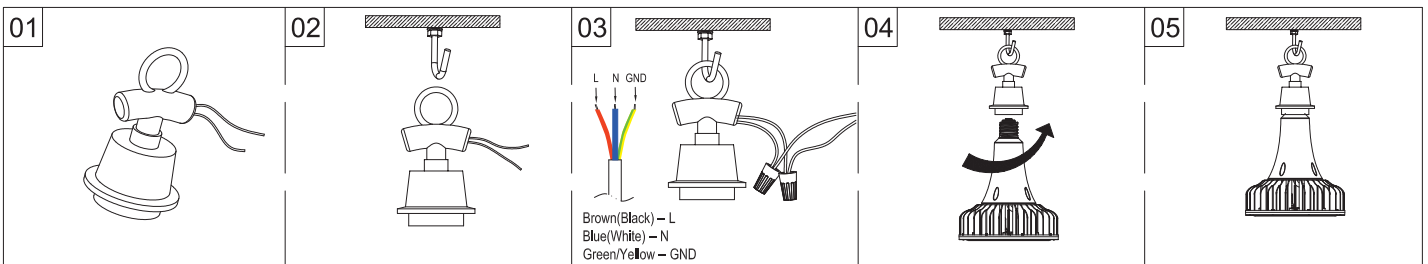
HBL60W/80W/100W/120W
-02-G7(B)

Installation and use

P1 Ceiling Installation



P2 Hanging Installation



Packing Spec

Item	Box			Carton		
	Measurement(mm)	Gross weight	Pcs/box	Measurement(mm)	Gross weight	Pcs/box
HBL60W/80W/100W120W-02-G7	L248*W248*H295	2.35kg(5.18 lbs)	1	L520*W520*H310	10.5kg(23.2 lbs)	4
HBL60W/80W/100W120W-02-G7(B)	L248*W248*H320	2.35kg(5.18 lbs)	1	L520*W520*H335	10.5kg(23.2 lbs)	4